

Rugged, Quick Connect, External Manifolds Offer You Exceptional Convenience, Cost, and Production Advantages

FEATURES:

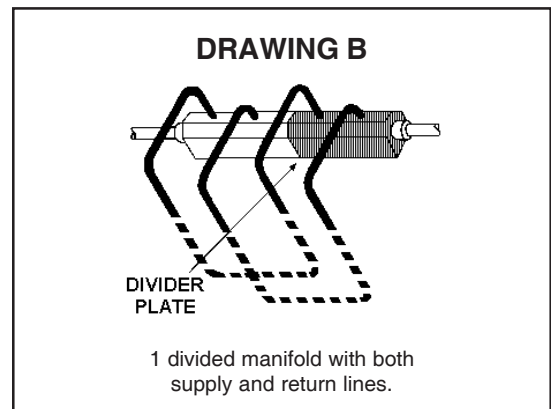
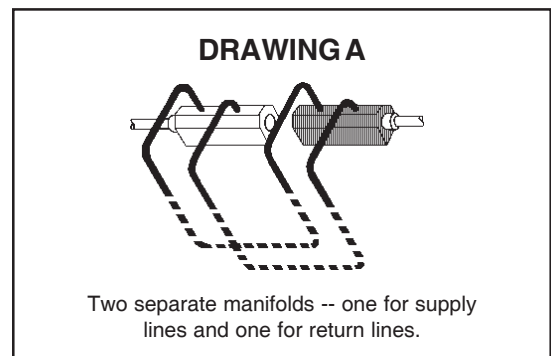
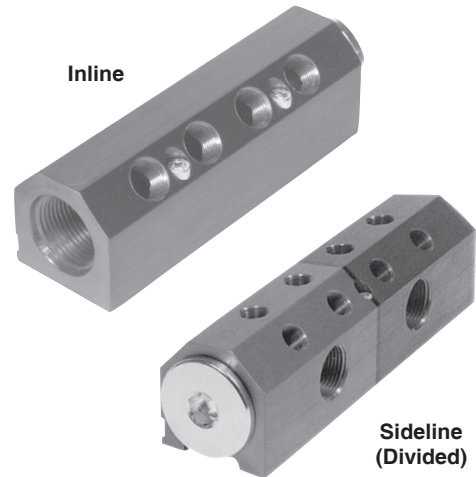
- **Color Coded** - Hoses and Manifolds are Color Coded (Red for Hot and Blue for Cold) for Easy Identification (And To Help Eliminate Hookup Errors)
- **Fewer Connections** - Reduces Chances of Hookup Errors
- **Variety of Models** - Standard or Custom — Virtually Unlimited Combinations Available — We Can Accommodate Almost Any Cooling Pattern
- **Full Flow** - For Optimum Efficiency
- **External Mounting** - Provides Thermal Barrier Between Mold and Manifold
- **Port Size Selection** - May Be Sized for Foolproof Connections (No Accidental Hookup of Cold to Hot or Hot to Cold)
- **Pre-Plumbing** - Permits Bench Testing of Flow Rates and Checks for Mold Leaks

GENERAL SPECIFICATIONS:


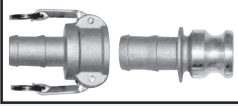
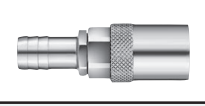
- Manifolds are in stock or custom drilled to your specifications.
- Either separate single manifolds may be used for the supply and return flow (see drawing A); or a divided manifold with a divider plate may be used for both the supply and return flow (see drawing B).
- Manifolds have pre-drilled mounting holes and are furnished with stainless steel mounting screws.
- Ports can be drilled in from 1 to 5 surfaces - A, B, C, D, and/or E (see drawing C). Custom spacing is available.
- Manifolds are made from 356 aircraft aluminum.
- Single manifolds are available in red, blue or black. Divided manifolds are half blue and half red.

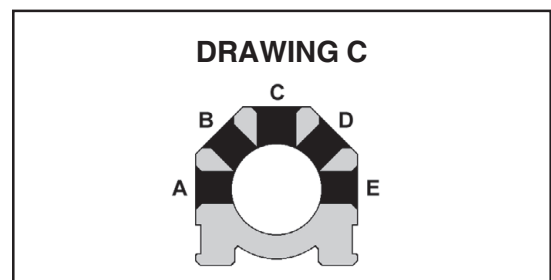
PRESSURE RATING: 3000 psi

TEMPERATURE RATING: 300°F



RELATED PRODUCTS

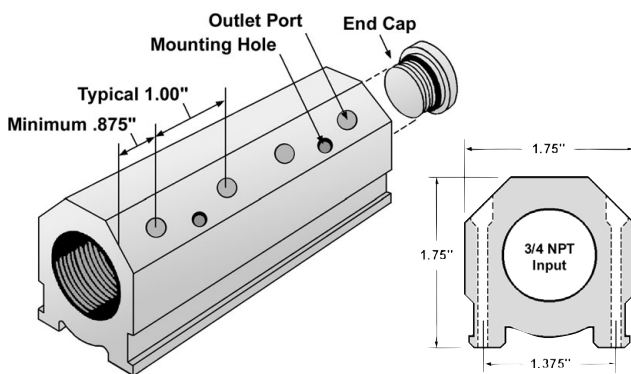
		
Ball Valves	Cam & Groove Couplings	Couplers



M3 Manifold

SPECIFICATIONS:

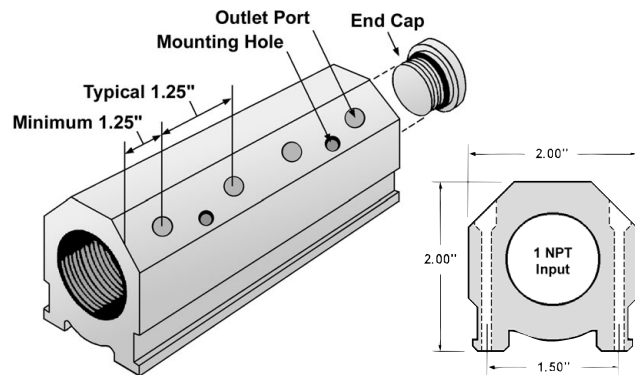
- Available in lengths from 2¾".
- Made from 1¼" x 1¼" stock.
- Inlet ports are ¾ NPT, and are furnished with flush end plugs of the same size (1 plug for inline manifolds; 2 plugs for sideline manifolds).
- Outlet ports can be 1/8 or 1/4 NPT.
- Ports are spaced 1" apart. Custom spacing is also available.
- Supplied with 10-32 x 1½" mounting bolt.
- -123 O-rings fit End Cap.



M4 Manifold

SPECIFICATIONS:

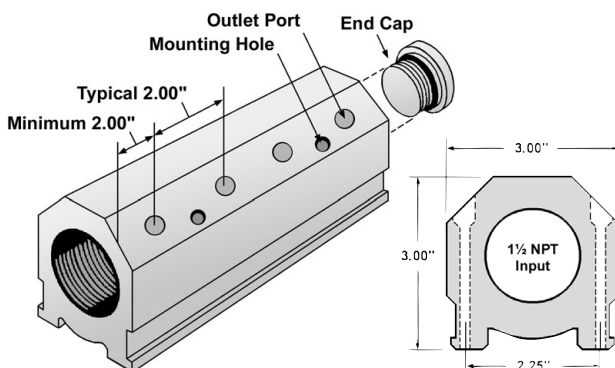
- Available in lengths from 3¾".
- Made from 2" x 2" stock.
- Inlet ports are 1 NPT, and are furnished with flush end plugs of the same size (1 plug for inline manifolds; 2 plugs for sideline manifolds).
- Outlet ports can be 1/4 or 3/8 NPT.
- Ports are spaced 1¼" apart. Custom spacing is also available.
- Supplied with ¼-20 x 2" mounting bolt.
- -220 O-rings fit End Cap.



M6 Manifold

SPECIFICATIONS:

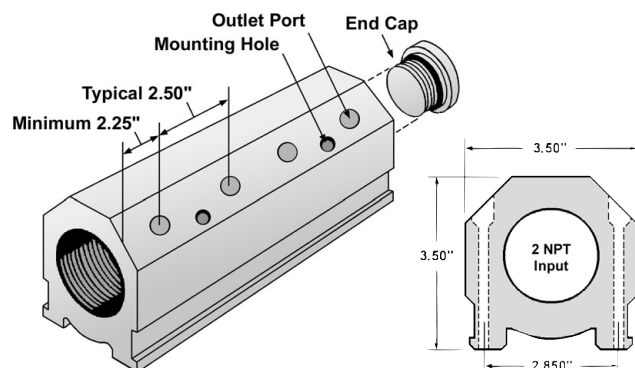
- Available in lengths from 6".
- Made from 3" x 3" stock.
- Inlet ports are 1½ NPT, and are furnished with flush end plugs of the same size (1 plug for inline manifolds; 2 plugs for sideline manifolds).
- Outlet ports can be 1/4, 3/8, 1/2, or 3/4 NPT.
- Ports are spaced 2" apart. Custom spacing is also available.
- Supplied with ¼-20 x 2½" mounting bolt.
- -226 O-rings fit End Cap.



M8 Manifold

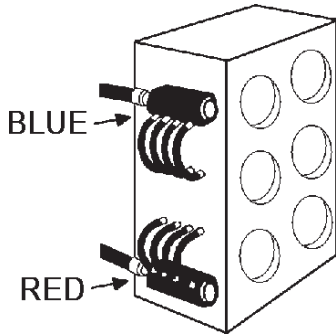
SPECIFICATIONS:

- Available in lengths from 8".
- Made from 3½" x 3½" stock.
- Inlet ports are 2 NPT, and are furnished with flush end plugs of the same size (1 plug for inline manifolds; 2 plugs for sideline manifolds).
- Outlet ports can be 1/2, 3/4, or 1 NPT.
- Ports are spaced 2½" apart. Custom spacing is also available.
- Supplied with ¼-20 x 3" mounting bolt.
- -230 O-rings fit End Cap.

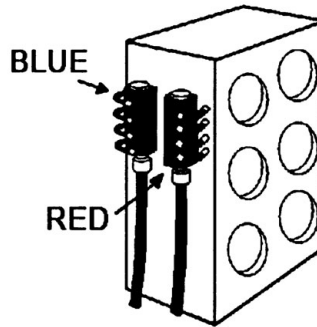


Examples shown here are only a few of the large number of possible mounting arrangements:

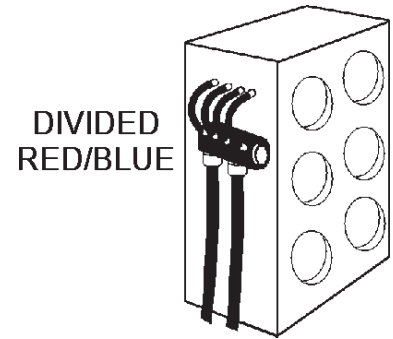
1. In Line on Mold



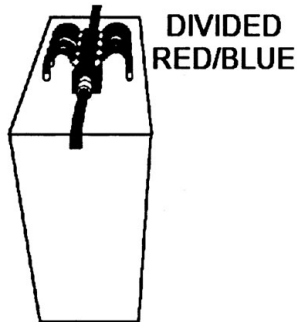
2. In Line on Mold



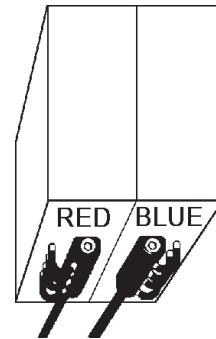
3. Side Line on Mold



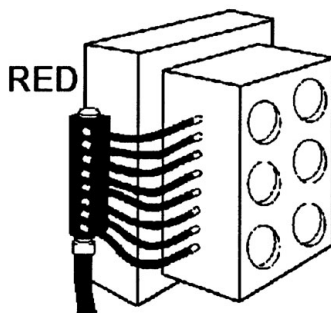
4. In Line (Divided) on Mold



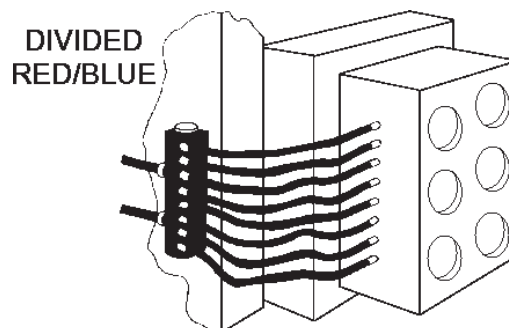
5. In Line on Mold



6. In Line on Platen



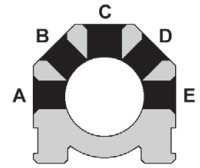
7. Side Line on Machine



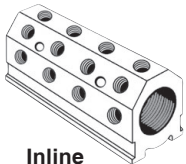
How to Figure Your Part Number



When ordering inline or sideline, single or divided manifolds, use the following formulas to create your part number:



Single Manifolds



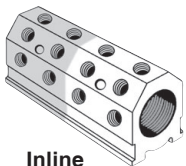
Inline

1 **M4** 2 **ABC** 3 **12** - 4 **14** 5 **RD** 6 **S**

- Manifold Input Size** - Enter "M3" for 3/4 NPT input, "M4" for 1 NPT input, "M6" for 1 1/2 NPT input, or "M8" for 2 NPT input.
- Sides with Ports** - Enter which sides you want the ports on: A, B, C, D, and/or E.
- Number of Ports (Total)** - Enter the total number of ports you want.
- NPT Port Size** - Enter "18" for 1/8 NPT, "14" for 1/4 NPT, "38" for 3/8 NPT, "12" for 1/2 NPT, "34" for 3/4 NPT, or "1" for 1 NPT.
- Color** - Enter "RD" for Red, "BL" for Blue, or "BK" for Black.
- Special Spacing** - If special ball valve spacing is required, enter "S" (standard port spacing is 1.00" on the M3, 1.25" on the M4, 2.00" on the M6, and 2.50" on the M8).

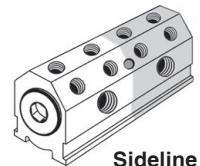
NOTE: Sideline design not available in single manifolds.

Divided Manifolds



Inline

1 **M4** 2 **S** 3 **38** 4 **BCD** 5 **6** - 6 **6** - 7 **14** 8 **RB** **S**



Sideline

- Manifold Input Size** - Enter "M3" for 3/4 NPT input, "M4" for 1 NPT input, "M6" for 1 1/2 NPT input, or "M8" for 2 NPT input.
- Design** - For sideline design, enter "S" and proceed to step #3. For inline design, leave blank and skip to step #4.
- Side E In/Out Port Size (for sideline design only)** - Available port sizes: M3 = 3/8" or 1/2"; M4 = 1/2" or 3/4"; M6 = 1"; M8 = 1 1/4". Enter "38" for 3/8 NPT, "12" for 1/2 NPT, "34" for 3/4 NPT, "1" for 1 NPT, or "114" for 1 1/4 NPT.
- Sides with Ports** - Enter which sides you want the ports on: A, B, C, D, and/or E.
- Number of Ports on Blue Half** - Enter the number of ports you want on the blue half of the manifold.
- Number of Ports on Red Half** - Enter the number of ports you want on the red half of the manifold.
- NPT Port Size** - Enter "18" for 1/8 NPT, "14" for 1/4 NPT, "38" for 3/8 NPT, "12" for 1/2 NPT, "34" for 3/4 NPT, or "1" for 1 NPT.
- Special Spacing** - If special ball valve spacing is required, enter "S" (standard port spacing is 1.00" on the M3, 1.25" on the M4, 2.00" on the M6, and 2.50" on the M8).

NOTE: Divided manifolds are typically half red and half blue.

See Custom Manifold Information Sheet for more details regarding input and port sizes available.

Custom Manifold Information Sheet



When ordering manifolds, please have the following information available:

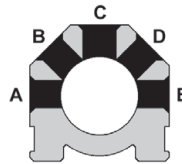
A. Input Size:

	<u>Inline</u>	<u>Sideline (Input on Side E)</u>
M3	<input type="checkbox"/> 3/4 NPT	<input type="checkbox"/> 3/8 NPT or <input type="checkbox"/> 1/2 NPT
M4	<input type="checkbox"/> 1 NPT	<input type="checkbox"/> 1/2 NPT or <input type="checkbox"/> 3/4 NPT
M6	<input type="checkbox"/> 1½ NPT	<input type="checkbox"/> 1 NPT
M8	<input type="checkbox"/> 2 NPT	<input type="checkbox"/> 1¼ NPT

NOTE: Inline shipped with plug in one end; sideline shipped with plugs in both ends.

B. Sides with Port Holes:

- A
- B
- C
- D
- E (not available on sideline design)



C. Number of Port Holes:

Single Manifolds - Total Number of Port Holes: _____

Divided Manifolds - Total Number of Port Holes per Half: _____

D. Size of Port Holes:

<u>M3</u>	<u>M4</u>	<u>M6</u>	<u>M8</u>
<input type="checkbox"/> 1/8 NPT	<input type="checkbox"/> 1/4 NPT	<input type="checkbox"/> 1/4 NPT	<input type="checkbox"/> 1/2 NPT
<input type="checkbox"/> 1/4 NPT	<input type="checkbox"/> 3/8 NPT	<input type="checkbox"/> 3/8 NPT	<input type="checkbox"/> 3/4 NPT
		<input type="checkbox"/> 1/2 NPT	<input type="checkbox"/> 1 NPT
		<input type="checkbox"/> 3/4 NPT	

E. Color Required (for single manifolds only):

- | | | |
|-------|-------------------------------|--|
| Red | <input type="checkbox"/> (RD) | <i>Divided manifolds are typically half red and half blue, but can be ordered all one color.</i> |
| Blue | <input type="checkbox"/> (BL) | |
| Black | <input type="checkbox"/> (BK) | |

F. Port spacing for Ball Valves:

Standard; M3 - 1.00", M4 - 1.25", M6 - 2.00", M8 - 2.50"

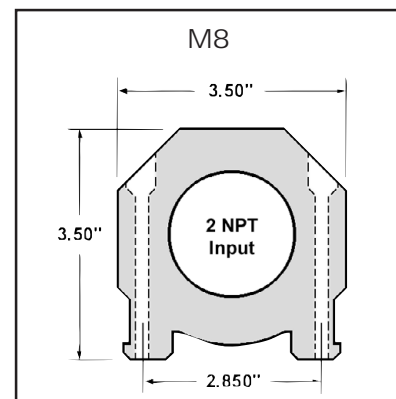
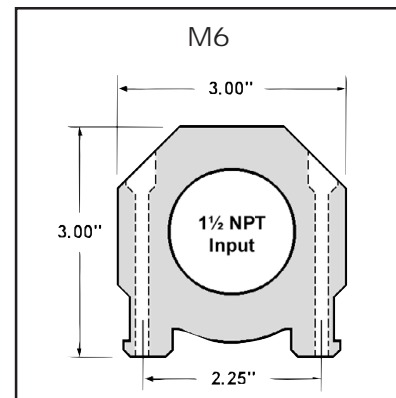
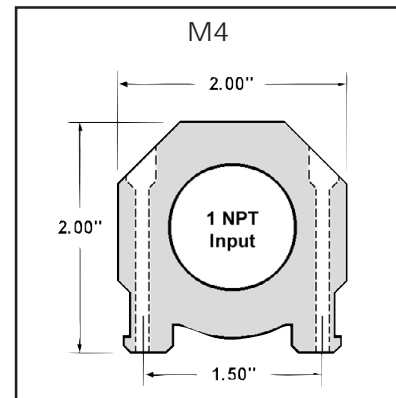
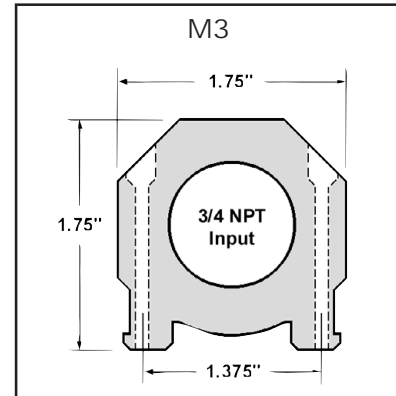
Custom; please specify: _____

NOTE 1: When using hot oil, ask for a brass plug instead of standard plug with o-ring.

NOTE 2: Custom manifolds are not returnable.

DELIVERY: 2 Weeks

Standard Dimensions:



M3 Manifold Specifications

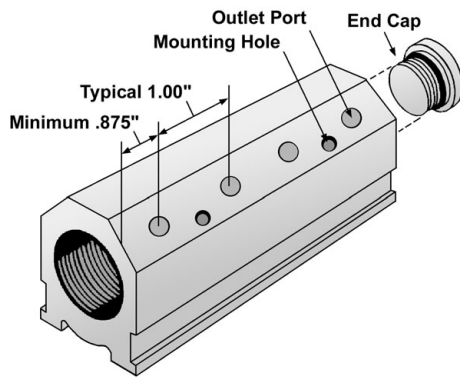


SPECIFICATIONS:

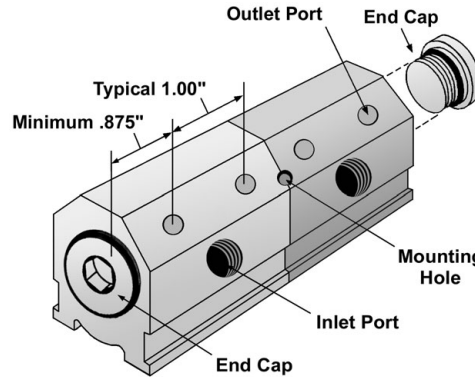
- Available in lengths from 2³/₄".
- Made from 1³/₄" x 1³/₄" stock.
- Inlet ports are 3/4 NPT; and are furnished with a flush end plug of the same size (1 plug for inline manifolds; 2 plugs for sideline manifolds).
- Outlet ports can be 1/8 or 1/4 NPT.
- Ports are spaced 1" apart. Custom spacing is also available.
- Supplied with 10-32 x 1¹/₂" mounting bolt.
- -123 O-rings fit End Cap.

**ALL DIMENSIONS SHOWN
ARE STANDARD.**

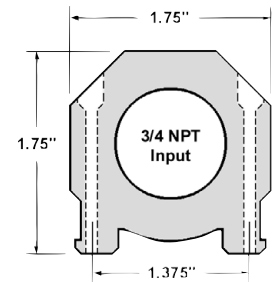
**Custom spacing and
lengths are also available.**



Inline Design

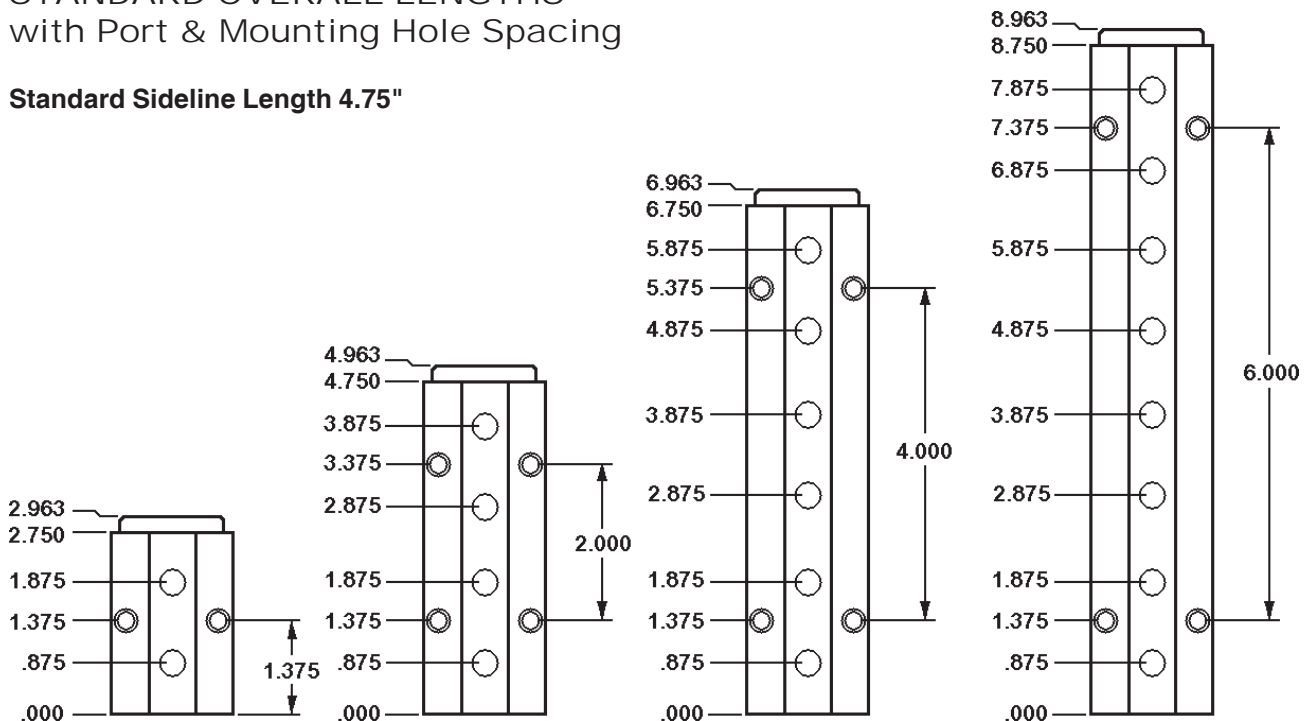


Sideline Design



STANDARD OVERALL LENGTHS with Port & Mounting Hole Spacing

Standard Sideline Length 4.75"



M3 Standard Configurations



	SIDES WITH PORTS	TOTAL # OF PORTS	PART NO.	PORT NPT	PRICE EACH
2.750" O.A.L.					
	 (or any other 2 sides)	4	M3BD4-18__*	1/8	\$43.00
			M3BD4-14__*	1/4	\$43.00
	 (or any other 3 sides)	6	M3BCD6-18__*	1/8	\$49.00
			M3BCD6-14__*	1/4	\$49.00
		10	M3ABCDE10-18__*	1/8	\$61.00
		10 (Divided - 5/Half)	M3ABCDE5-5-18RB**	1/8	\$77.00
4.750" O.A.L.					
	 (or any other side)	4	M3B4-18__*	1/8	\$53.00
			M3B4-14__*	1/4	\$53.00
	 (or any other 2 sides)	8	M3BD8-18__*	1/8	\$65.00
			M3BD8-14__*	1/4	\$65.00
	 (or any other 3 sides)	12	M3ABC12-18__*	1/8	\$77.00
			M3ABC12-14__*	1/4	\$77.00
	 (or any other 2 sides)	8 (Divided - 4/Half)	M3BD4-4-18RB**	1/8	\$81.00
			M3BD4-4-14RB**	1/4	\$81.00

*Insert "RD" for Red manifolds; "BL" for Blue manifolds; or "BK" for Black manifolds.

**Divided manifolds are typically half red and half blue. Other color combinations may be available upon special request.

NOTE: Standard manifolds can be manufactured with the ports on any side(s): A, B, C, D, and/or E. The above part numbers are examples to illustrate pricing.



M3 Standard Configurations



	SIDES WITH PORTS	TOTAL # OF PORTS	PART NO.	PORT NPT	PRICE EACH
6.750" O.A.L.					
	 (or any other side)	6	M3B6-18__*	1/8	\$69.00
			M3B6-14__*	1/4	\$69.00
	 (or any other 2 sides)	12	M3BD12-18__*	1/8	\$87.00
			M3BD12-14__*	1/4	\$87.00
	 (or any other 3 sides)	18	M3ABC18-18__*	1/8	\$105.00
			M3ABC18-14__*	1/4	\$105.00
	 (or any other 2 sides)	12 (Divided - 6/Half)	M3BD6-6-18RB**	1/8	\$103.00
			M3BD6-6-14RB**	1/4	\$103.00
8.750" O.A.L.					
	 (or any other side)	8	M3C8-18__*	1/8	\$85.00
			M3C8-14__*	1/4	\$85.00
	 (or any other 2 sides)	16	M3BD16-18__*	1/8	\$109.00
			M3BD16-14__*	1/4	\$109.00

*Insert "RD" for Red manifolds; "BL" for Blue manifolds; or "BK" for Black manifolds.

**Divided manifolds are typically half red and half blue. Other color combinations may be available upon special request.

NOTE: Standard manifolds can be manufactured with the ports on any side(s): A, B, C, D, and/or E. The above part numbers are examples to illustrate pricing.



M4 Manifold Specifications

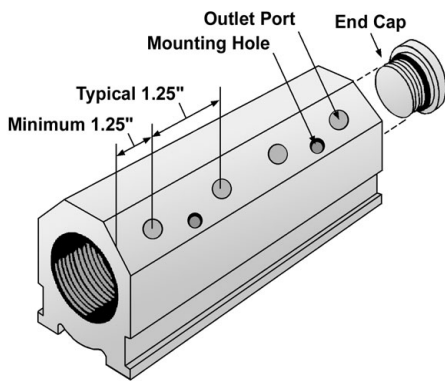


SPECIFICATIONS:

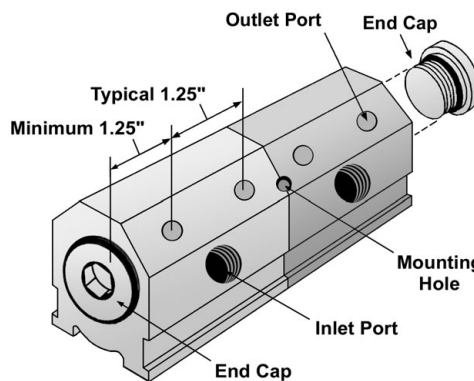
- Available in lengths from 3¾".
- Made from 2" x 2" stock.
- Inlet ports are 1 NPT; and are furnished with a flush end plug of the same size (1 plug for inline manifolds; 2 plugs for sideline manifolds).
- Outlet ports can be 1/4 or 3/8 NPT.
- Ports are spaced 1¼" apart. Custom spacing is also available.
- Supplied with ¼-20 x 2" mounting bolt.
- -220 O-rings fit End Cap.

**ALL DIMENSIONS SHOWN
ARE STANDARD.**

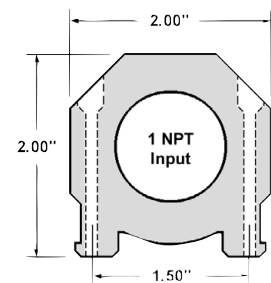
**Custom spacing and
lengths are also available.**



Inline Design

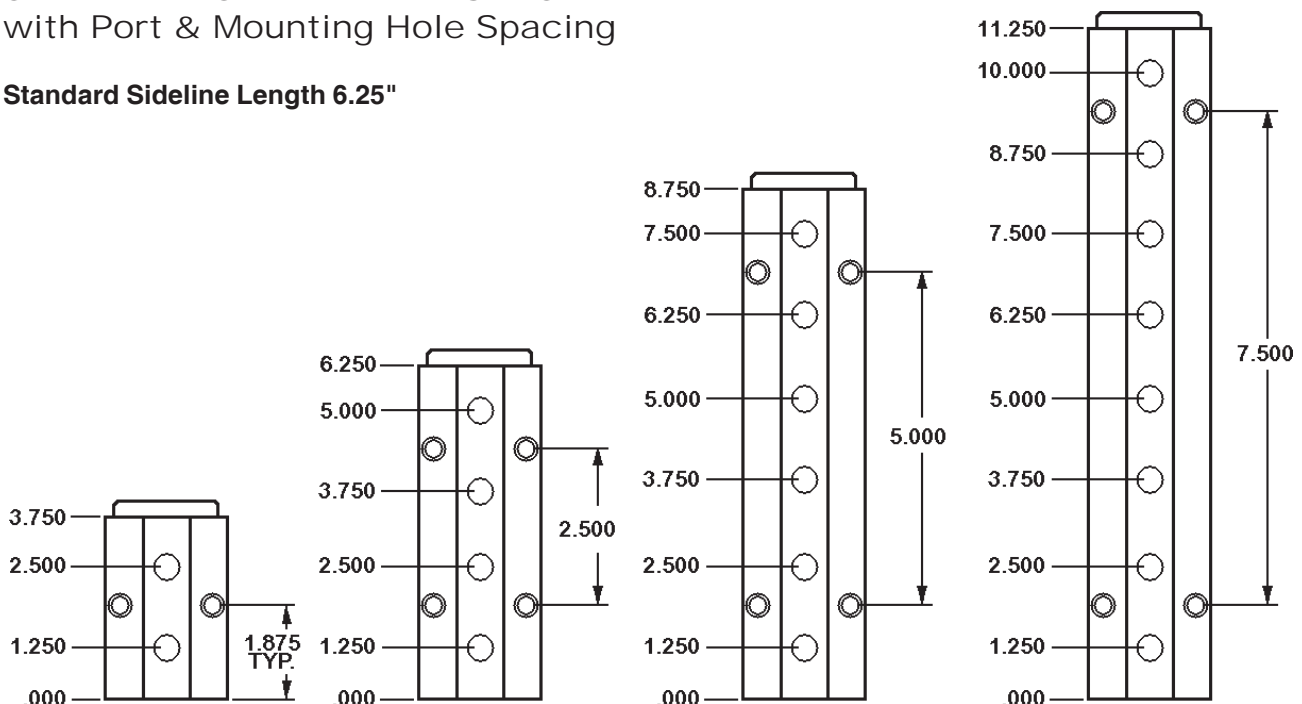


Sideline Design



STANDARD OVERALL LENGTHS with Port & Mounting Hole Spacing

Standard Sideline Length 6.25"



M4 Standard Configurations



	SIDES WITH PORTS	TOTAL # OF PORTS	PART NO.	PORT NPT	PRICE EACH
3.750" O.A.L.					
	 (or any other 2 sides)	4	M4AB4-14__*	1/4	\$56.00
			M4AB4-38__*	3/8	\$56.00
	 (or any other 3 sides)	6	M4BCD6-14__*	1/4	\$62.00
			M4BCD6-38__*	3/8	\$62.00
	 (or any other 2 sides)	4 (Divided - 2/Half)	M4BD2-2-14RB**	1/4	\$73.00
			M4BD2-2-38RB**	3/8	\$73.00
6.250" O.A.L.					
	 (or any other side)	4	M4C4-14__*	1/4	\$74.00
			M4C4-38__*	3/8	\$74.00
	 (or any other 2 sides)	8	M4BD8-14__*	1/4	\$86.00
			M4BD8-38__*	3/8	\$86.00
	 (or any other 3 sides)	12	M4BCD12-14__*	1/4	\$98.00
			M4BCD12-38__*	3/8	\$98.00
	 (or any other 2 sides)	8 (Divided - 4/Half)	M4BD4-4-14RB**	1/4	\$103.00
			M4BD4-4-38RB**	3/8	\$103.00

*Insert "RD" for Red manifolds; "BL" for Blue manifolds; or "BK" for Black manifolds.

**Divided manifolds are typically half red and half blue. Other color combinations may be available upon special request.

NOTE: Standard manifolds can be manufactured with the ports on any side(s): A, B, C, D, and/or E. The above part numbers are examples to illustrate pricing.



M4 Standard Configurations



	SIDES WITH PORTS	TOTAL # OF PORTS	PART NO.	PORT NPT	PRICE EACH
8.750" O.A.L.					
	 (or any other side)	6	M4C6-14__*	1/4	\$92.00
			M4C6-38__*	3/8	\$92.00
	 (or any other 2 sides)	12	M4BD12-14__*	1/4	\$110.00
			M4BD12-38__*	3/8	\$110.00
	 (or any other 3 sides)	18	M4BCD18-14__*	1/4	\$128.00
			M4BCD18-38__*	3/8	\$128.00
	 (or any other 2 sides)	12 (Divided - 6/Half)	M4BD6-6-14RB**	1/4	\$127.00
			M4BD6-6-38RB**	3/8	\$127.00
11.250" O.A.L.					
	 (or any other side)	8	M4C8-14__*	1/4	\$116.00
			M4C8-38__*	3/8	\$116.00
	 (or any other 2 sides)	16	M4BD16-14__*	1/4	\$140.00
			M4BD16-38__*	3/8	\$140.00
	 (or any other 2 sides)	16 (Divided - 8/Half)	M4BD8-8-14RB**	1/4	\$157.00
			M4BD8-8-38RB**	3/8	\$157.00

*Insert "RD" for Red manifolds; "BL" for Blue manifolds; or "BK" for Black manifolds.

**Divided manifolds are typically half red and half blue. Other color combinations may be available upon special request.

NOTE: Standard manifolds can be manufactured with the ports on any side(s): A, B, C, D, and/or E. The above part numbers are examples to illustrate pricing.



M6 Manifold Specifications

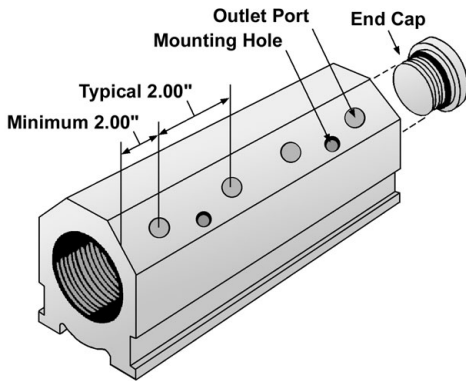


SPECIFICATIONS:

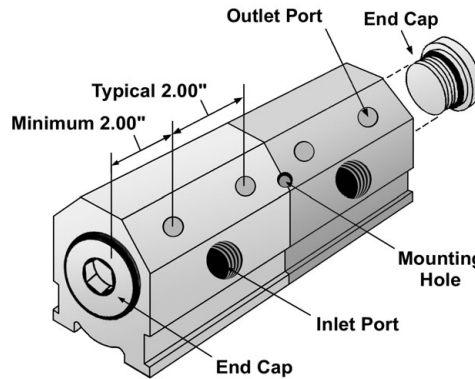
- Available in lengths from 6".
- Made from 3" x 3" stock.
- Inlet ports are 1½ NPT; and are furnished with a flush end plug of the same size (1 plug for inline manifolds; 2 plugs for sideline manifolds).
- Outlet ports can be 1/4, 3/8, 1/2, or 3/4 NPT.
- Ports are spaced 2" apart. Custom spacing is also available.
- Supplied with ¼-20 x 2½" mounting bolt.
- -226 O-rings fit End Cap.

**ALL DIMENSIONS SHOWN
ARE STANDARD.**

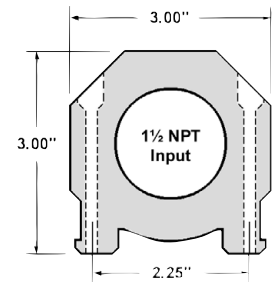
**Custom spacing and
lengths are also available.**



Inline Design

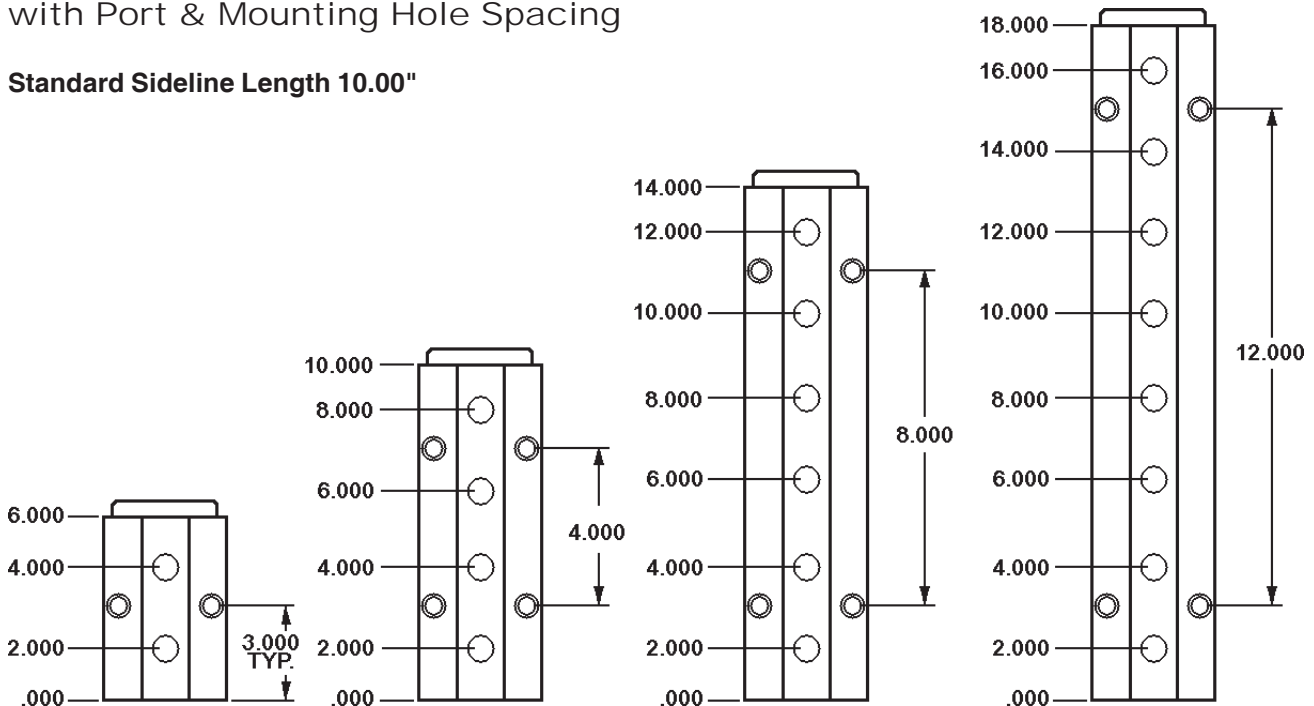


Sideline Design



STANDARD OVERALL LENGTHS with Port & Mounting Hole Spacing

Standard Sideline Length 10.00"



M6 Standard Configurations



	SIDES WITH PORTS	TOTAL # OF PORTS	PART NO.	PORT NPT	PRICE EACH
6.000" O.A.L.					
	 (or any other 2 sides)	4	M6AB4-38__*	3/8	\$83.00
			M6AB4-12__*	1/2	\$83.00
	 (or any other 3 sides)	6	M6BCD6-38__*	3/8	\$91.00
			M6BCD6-12__*	1/2	\$91.00
	 (or any other 2 sides)	4 (Divided - 2/Half)	M6BD2-2-38RB**	3/8	\$103.00
			M6BD2-2-12RB**	1/2	\$103.00
10.000" O.A.L.					
	 (or any other side)	4	M6C4-38__*	3/8	\$111.00
			M6C4-12__*	1/2	\$111.00
	 (or any other 2 sides)	8	M6BD8-38__*	3/8	\$127.00
			M6BD8-12__*	1/2	\$127.00
	 (or any other 3 sides)	12	M6BCD12-38__*	3/8	\$143.00
			M6BCD12-12__*	1/2	\$143.00
	 (or any other 2 sides)	8 (Divided - 4/Half)	M6BD4-4-38RB**	3/8	\$147.00
			M6BD4-4-12RB**	1/2	\$147.00

*Insert "RD" for Red manifolds; "BL" for Blue manifolds; or "BK" for Black manifolds.

**Divided manifolds are typically half red and half blue. Other color combinations may be available upon special request.

NOTE: Standard manifolds can be manufactured with the ports on any side(s): A, B, C, D, and/or E. The above part numbers are examples to illustrate pricing.



M6 Standard Configurations



	SIDES WITH PORTS	TOTAL # OF PORTS	PART NO.	PORT NPT	PRICE EACH
14.000" O.A.L.					
	 (or any other side)	6	M6C6-38__*	3/8	\$147.00
			M6C6-12__*	1/2	\$147.00
	 (or any other 2 sides)	12	M6BD12-38__*	3/8	\$171.00
			M6BD12-12__*	1/2	\$171.00
	 (or any other 3 sides)	18	M6BCD18-38__*	3/8	\$195.00
			M6BCD18-12__*	1/2	\$195.00
	 (or any other 2 sides)	12 (Divided - 6/Half)	M6BD6-6-38RB**	3/8	\$191.00
			M6BD6-6-12RB**	1/2	\$191.00
18.000" O.A.L.					
	 (or any other side)	8	M6C8-38__*	3/8	\$183.00
			M6C8-12__*	1/2	\$183.00
	 (or any other 2 sides)	16	M6BD16-38__*	3/8	\$215.00
			M6BD16-12__*	1/2	\$215.00
	 (or any other 2 sides)	16 (Divided - 8/Half)	M6BD8-8-38RB**	3/8	\$235.00
			M6BD8-8-12RB**	1/2	\$235.00

*Insert "RD" for Red manifolds; "BL" for Blue manifolds; or "BK" for Black manifolds.

**Divided manifolds are typically half red and half blue. Other color combinations may be available upon special request.

NOTE: Standard manifolds can be manufactured with the ports on any side(s): A, B, C, D, and/or E. The above part numbers are examples to illustrate pricing.



7925 N. Clinton St., Fort Wayne, IN 46825 USA • Web: www.servicesforplastics.com • E-mail: sales@servicesforplastics.com
Toll Free Phone: 800-627-1033 • Fax: 800-482-4059 • Local Phone: 260-482-9211 • Fax: 260-483-8139

M8 Manifold Specifications

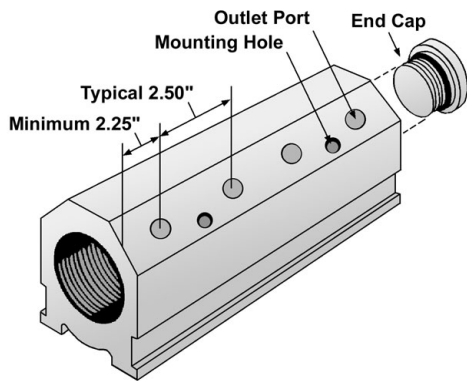


SPECIFICATIONS:

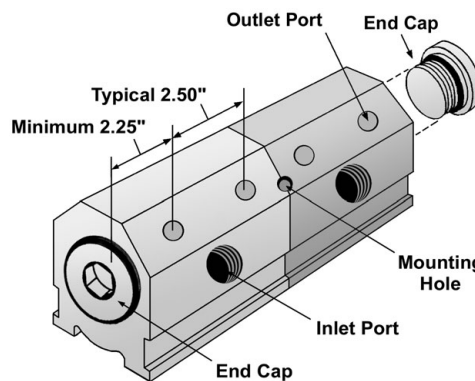
- Available in lengths from 8".
- Made from 3½" x 3½" stock.
- Inlet ports are 2 NPT; and are furnished with a flush end plug of the same size (1 plug for inline manifolds; 2 plugs for sideline manifolds).
- Outlet ports can be 1/2, 3/4, or 1 NPT.
- Ports are spaced 2¼" apart. Custom spacing is also available.
- Supplied with ¼-20 x 3" mounting bolt.
- -230 O-rings fit End Cap.

**ALL DIMENSIONS SHOWN
ARE STANDARD.**

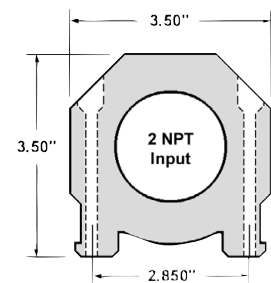
**Custom spacing and
lengths are also available.**



Inline Design

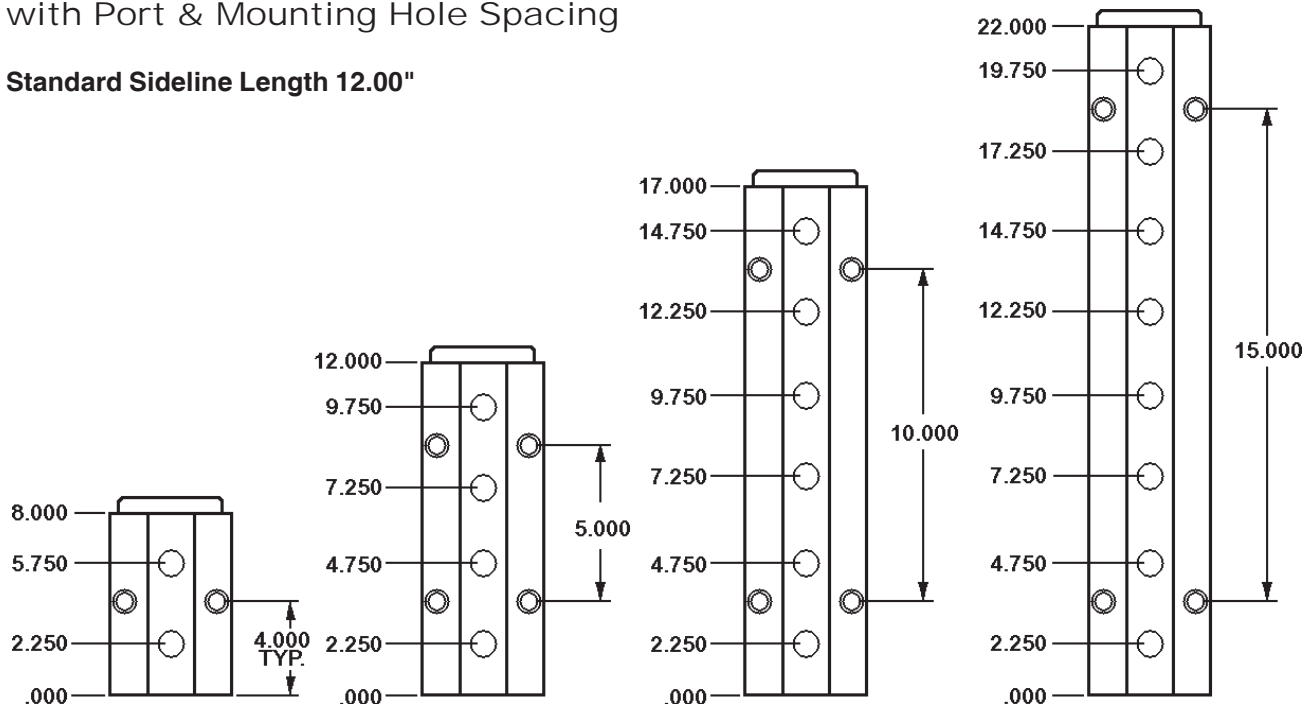


Sideline Design



STANDARD OVERALL LENGTHS with Port & Mounting Hole Spacing

Standard Sideline Length 12.00"



M8 Standard Configurations



	SIDES WITH PORTS	TOTAL # OF PORTS	PART NO.	PORT NPT	PRICE EACH
8.000" O.A.L.					
	 (or any other 3 sides)	6	M8ACE6-12__*	1/2	\$134.00
			M8ACE6-34__*	3/4	\$134.00
			M8ACE6-1__*	1	\$134.00
		10	M8ABCDE10-12__*	1/2	\$158.00
			M8ABCDE10-34__*	3/4	\$158.00
12.000" O.A.L.					
	 (or any other side)	4	M8C4-12__*	1/2	\$154.00
			M8C4-34__*	3/4	\$154.00
			M8C4-1__*	1	\$154.00
	 (or any other 2 sides)	8	M8BD8-12__*	1/2	\$178.00
			M8BD8-34__*	3/4	\$178.00
	 (or any other 3 sides)	12	M8ABC12-12__*	1/2	\$202.00
			M8ABC12-34__*	3/4	\$202.00
	 (or any other 3 sides)	12 (Divided - 6/Half)	M8ABC6-6-12RB**	1/2	\$228.00
			M8ABC6-6-34RB**	3/4	\$228.00

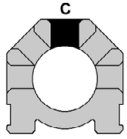
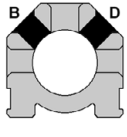
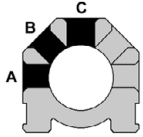
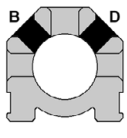
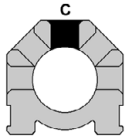
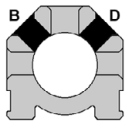
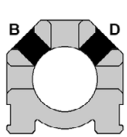
*Insert "RD" for Red manifolds; "BL" for Blue manifolds; or "BK" for Black manifolds.

**Divided manifolds are typically half red and half blue. Other color combinations may be available upon special request.

NOTE: Standard manifolds can be manufactured with the ports on any side(s): A, B, C, D, and/or E. The above part numbers are examples to illustrate pricing.

M8 Standard Configurations



	SIDES WITH PORTS	TOTAL # OF PORTS	PART NO.	PORT NPT	PRICE EACH
17.000" O.A.L.					
	 (or any other side)	6	M8C6-12__*	1/2	\$206.00
			M8C6-34__*	3/4	\$206.00
	 (or any other 2 sides)	12	M8BD12-12__*	1/2	\$242.00
			M8BD12-34__*	3/4	\$242.00
	 (or any other 3 sides)	18	M8ABC18-12__*	1/2	\$278.00
			M8ABC18-34__*	3/4	\$278.00
	 (or any other 2 sides)	12 (Divided - 6/Half)	M8BD6-6-12RB**	1/2	\$268.00
			M8BD6-6-34RB**	3/4	\$268.00
22.000" O.A.L.					
	 (or any other side)	8	M8C8-12__*	1/2	\$258.00
			M8C8-34__*	3/4	\$258.00
	 (or any other 2 sides)	16	M8BD16-12__*	1/2	\$306.00
			M8BD16-34__*	3/4	\$306.00
	 (or any other 2 sides)	16 (Divided - 8/Half)	M8BD8-8-12RB**	1/2	\$332.00
			M8BD8-8-34RB**	3/4	\$332.00

*Insert "RD" for Red manifolds; "BL" for Blue manifolds; or "BK" for Black manifolds.

**Divided manifolds are typically half red and half blue. Other color combinations may be available upon special request.

NOTE: Standard manifolds can be manufactured with the ports on any side(s): A, B, C, D, and/or E. The above part numbers are examples to illustrate pricing.



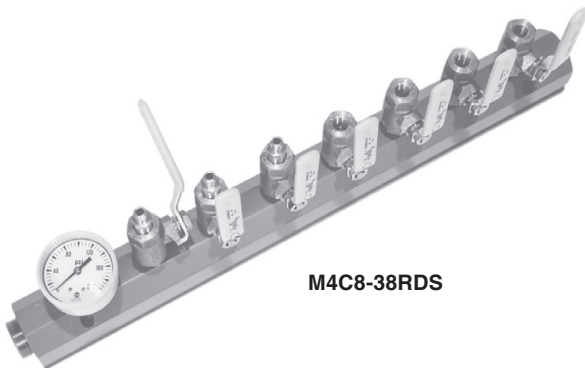
Manifolds are made with special 2½" port spacing to mount ball valves for positive shut-off.

FEATURES:

- Use to Mount Pressure & Temperature Gauges for Peak Performance
- Top Quality - Low Cost
- Reduce Hose Lengths & Setup Time
- Will Not Rust



M4BD16-38BLS



M4C8-38RDS

PART NO.	# OF PORTS	PORT SIZE (NPT)	O.A.L.	PRICE EACH
M4C4-14__S*	4	1/4	10.0"	\$92.00
M4C4-38__S*		3/8	10.0"	\$92.00
M6C4-12__S*		1/2	11.5"	\$125.00
M6C4-34__S*		3/4	11.5"	\$125.00
M4C6-14__S*	6	1/4	15.0"	\$128.00
M4C6-38__S*		3/8	15.0"	\$128.00
M6C6-12__S*		1/2	16.5"	\$168.00
M6C6-34__S*		3/4	16.5"	\$168.00
M4C8-14__S*	8	1/4	20.0"	\$164.00
M4C8-38__S*		3/8	20.0"	\$164.00
M6C8-12__S*		1/2	21.5"	\$211.00
M6C8-34__S*		3/4	21.5"	\$211.00
M4BD4-14__S*	4	1/4	05.0"	\$62.00
M4BD4-38__S*		3/8	05.0"	\$62.00
M6BD4-12__S*		1/2	06.5"	\$90.00
M6BD4-34__S*		3/4	06.5"	\$90.00
M4BD8-14__S*	8	1/4	10.0"	\$104.00
M4BD8-38__S*		3/8	10.0"	\$104.00
M6BD8-12__S*		1/2	11.5"	\$141.00
M6BD8-34__S*		3/4	11.5"	\$141.00
M4BD12-14__S*	12	1/4	15.0"	\$146.00
M4BD12-38__S*		3/8	15.0"	\$146.00
M6BD12-12__S*		1/2	16.5"	\$192.00
M6BD12-34__S*		3/4	16.5"	\$192.00
M4BD16-14__S*	16	1/4	20.0"	\$188.00
M4BD16-38__S*		3/8	20.0"	\$188.00
M6BD16-12__S*		1/2	21.5"	\$243.00
M6BD16-34__S*		3/4	21.5"	\$243.00

**Insert "RD" for red manifolds, "BL" for blue, or "BK" for black.*

Above manifolds pictured with optional gauges and ball valves (not included in price).

The above part numbers are examples of our most common special-spacing manifolds. Many other combinations are available; however, manifolds with ports on other sides may require an additional setup charge.