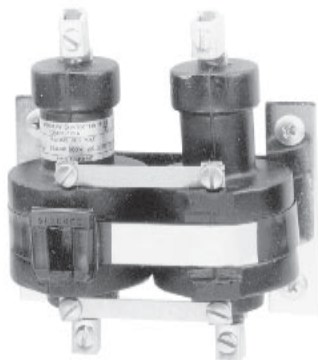
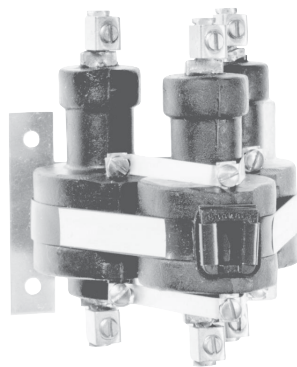




## Replace your Mechanical Heater Load Contactors with Top Quality Mercury Contactors



2-pole



3-pole

### GENERAL INFORMATION:

Mercury Displacement Contactors are all designed and built to meet the most exacting demands of industry. Their service life is equal to that of the solid state contactor, even under adverse conditions of temperature, dust, and moisture. Each pole is hermetically sealed with high quality glass-to-metal seals to prevent moisture damage and voltage breakdown through the protective coating. Mercury Contactors are available in single or multiple pole units and in several coil voltages.

### FEATURES & BENEFITS:

- Hermetically Sealed Steel Body Making Contact Impervious to Adverse Conditions and External Arcing
- One Coil for Each Set of Contacts Assures Consistent Switching and Minimizes Pull-in Variation Between Contacts
- Rapid On-Off Cycling
- Lower Maintenance Cost
- Reduced Down-time

### ADVANTAGES OVER MECHANICAL CONTACTORS:

- Superior Performance and Reliability for Longer Life and Durability
- More Compact Size for Easy Installation
- Lower, Predictable Contact Resistance
- Handles a Variety of Loads for Increased Design Flexibility
- Lower Coil Power Requirements
- Minimal Derating Due to Higher Ambient Temperatures
- Quieter Action

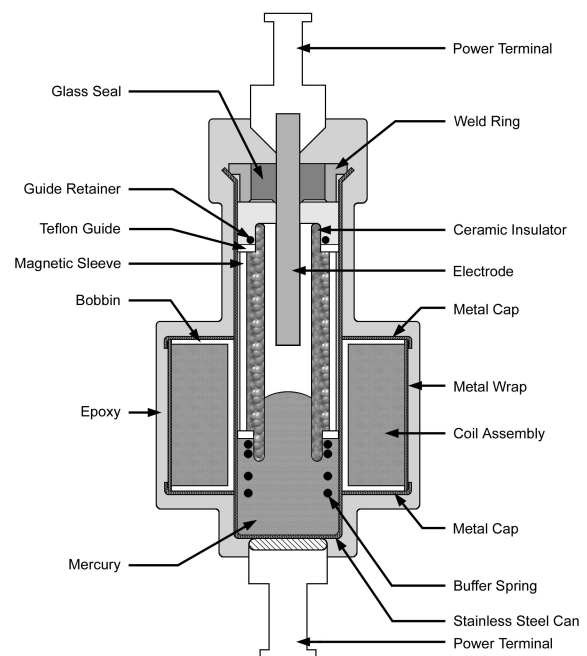
#### 35/60-AMP SPECIFICATIONS (Normally Open units):

- **Operate Time:** 50 milliseconds
- **Release Time:** 80 milliseconds
- **Contact Resistance:**  
35-AMP = .003 ohm\*  
60-AMP = .002 ohm\*
- **Dielectric Withstand:** 2500 VAC RMS
- **Longevity:** millions of cycles
- **Temperature Range:** -35°C to 85°C
- **Coil Terminals:** #6 binding head screws
- **Load Terminals:** pressure connectors for A.W.G. #4-#14 on 35-AMP units and A.W.G. #2-#8 on 60-AMP units.

#### 100-AMP SPECIFICATIONS (Normally Open units):

- **Operate Time:** 50 milliseconds
- **Release Time:** 80 milliseconds
- **Contact Resistance:** .001 ohm\*
- **Dielectric Withstand:** 2500 VAC RMS
- **Longevity:** millions of cycles
- **Temperature Range:** -35°C to 85°C
- **Coil Terminals:** #6 binding head screws
- **Load Terminals:** pressure connectors (standard accepts A.W.G. #2-#12)

\*After cycling under load.

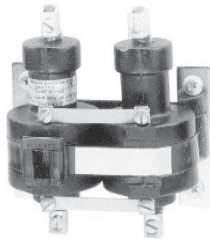


# Mercury Contactors - Specifications



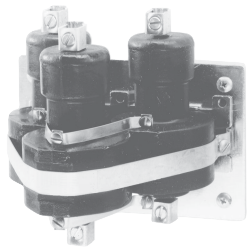
## 1 POLE - Normally Open

LOAD RATING	VOLTAGE	VOLT AMPERES V/A	POWER (watts)	PART NO.	PRICE EACH
35-AMP	120 VAC	6.4	3.5	35NO-120A	Call for Pricing
	24 VDC	3.3	3.3	35NO-24D	
	240 VAC	6.2	3.8	35NO-220A	
60-AMP	120 VAC	5.8	2.9	60NO-120A	
	24 VDC	3.3	3.3	60NO-24D	
	240 VAC	5.9	3.5	60NO-220A	
100-AMP	120 VAC	16.4	7.1	100NO-120A	
	24 VDC	8.9	8.9	100NO-24D	
	240 VAC	16.1	7.5	100NO-220A	



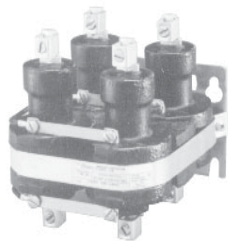
## 2 POLE - Normally Open

LOAD RATING	VOLTAGE	VOLT AMPERES V/A	POWER (watts)	PART NO.	PRICE EACH
35-AMP	120 VAC	12.8	7.0	235NO-120A	800-627-1033
	24 VDC	6.6	6.6	235NO-24D	
	240 VAC	12.4	7.6	235NO-220A	
60-AMP	120 VAC	11.6	5.8	260NO-120A	
	24 VDC	6.6	6.6	260NO-24D	
	240 VAC	11.8	7.0	260NO-220A	
100-AMP	120 VAC	32.8	14.0	2100NO-120A	
	24 VDC	17.8	17.8	2100NO-24D	
	240 VAC	32.2	15.0	2100NO-220A	



## 3 POLE - Normally Open

LOAD RATING	VOLTAGE	VOLT AMPERES V/A	POWER (watts)	PART NO.	PRICE EACH
35-AMP	120 VAC	19.2	10.5	335NO-120A	Call for Pricing
	24 VDC	9.9	9.9	335NO-24D	
	240 VAC	18.6	11.4	335NO-220A	
60-AMP	120 VAC	17.4	8.7	360NO-120A	
	24 VDC	9.9	9.9	360NO-24D	
	240 VAC	17.7	10.5	360NO-220A	
100-AMP	120 VAC	49.2	21.3	3100NO-120A	
	24 VDC	26.7	26.7	3100NO-24D	
	240 VAC	48.3	22.5	3100NO-220A	

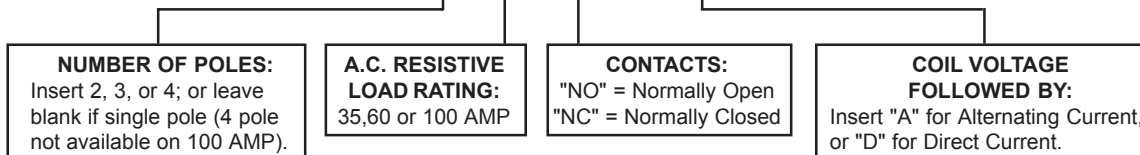


## 4 POLE - Normally Open

LOAD RATING	VOLTAGE	VOLT AMPERES V/A	POWER (watts)	PART NO.	PRICE EACH
35-AMP	120 VAC	25.6	14.0	435NO-120A	800-627-1033
	24 VDC	13.2	13.2	435NO-24D	
	240 VAC	24.8	15.2	435NO-220A	
60-AMP	120 VAC	23.2	11.6	460NO-120A	
	24 VDC	13.2	13.2	460NO-24D	
	240 VAC	23.6	14.0	460NO-220A	

### How to Order:

**4** **35** **NO** - **120A**

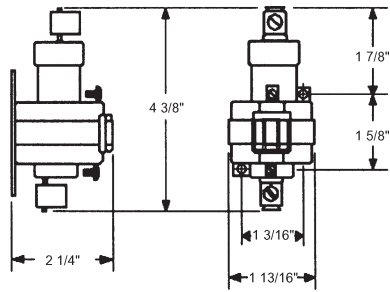


**ALSO AVAILABLE:** Top Termination, Top Screw Termination (on 35 AMP units), Loads other than AC Resistive & Tungsten, and Brackets other than Standard (on 35 and 60 AMP units).

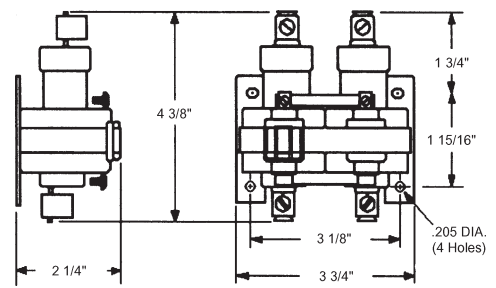
# Mercury Contactors - Dimensions



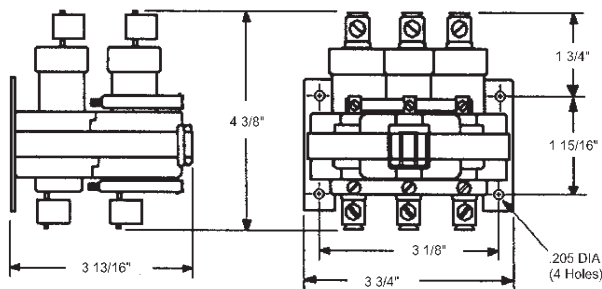
**35/60-AMP 1-POLE (Normally Open)**



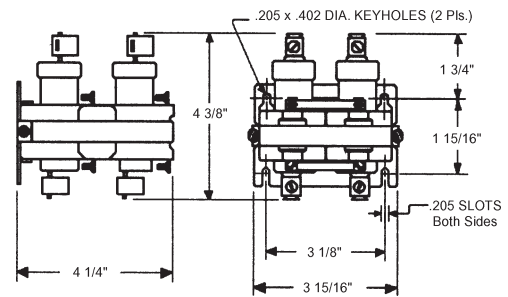
**35/60-AMP 2-POLE (Normally Open)**



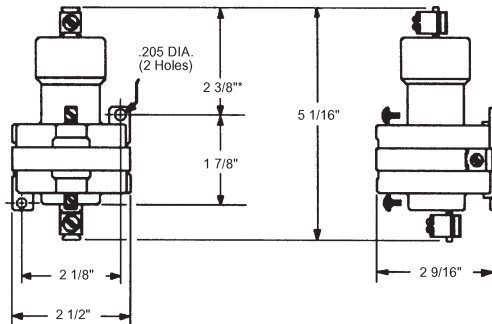
**35/60-AMP 3-POLE (Normally Open)**



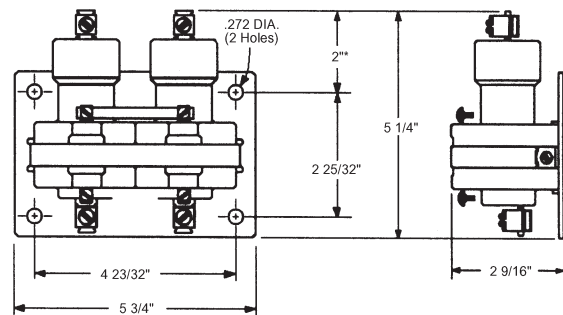
**35/60-AMP 4-POLE (Normally Open)**



**100-AMP 1-POLE (Normally Open)**



**100-AMP 2-POLE (Normally Open)**



**100-AMP 3-POLE (Normally Open)**

