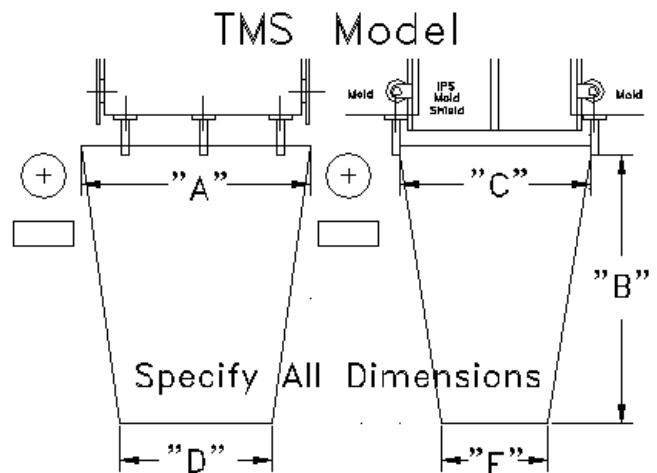
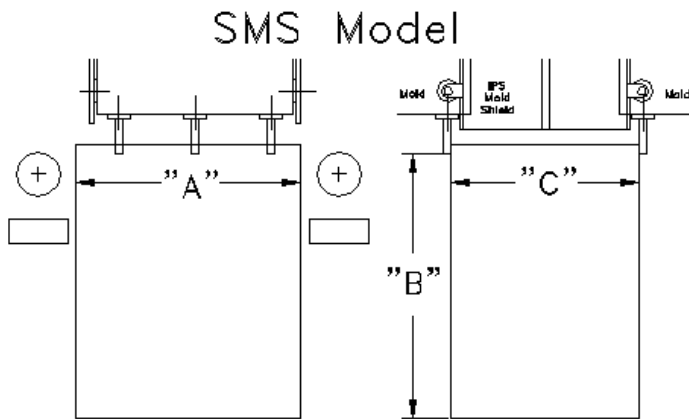


Mold Chutes

Right Angle Softdrop Mold Chute

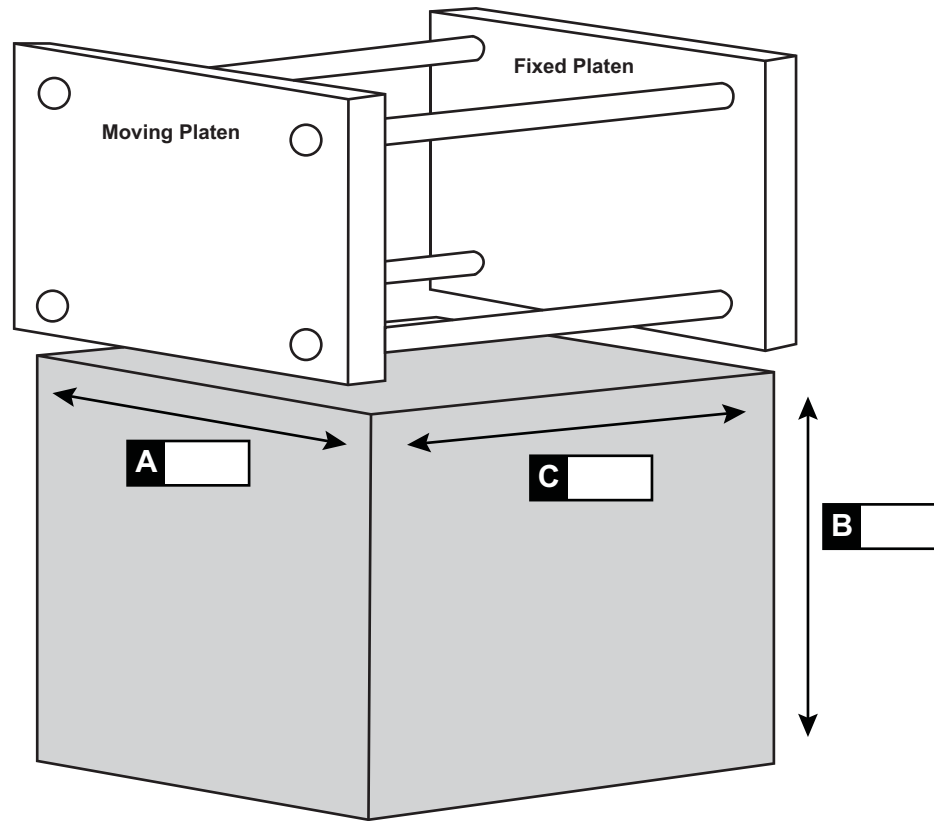
SFP MODEL	WIDTH WIDTH "A"	VERTICAL HEIGHT "B"	MOLD OPEN WIDTH "C"
SMS-20	8" (20cm)	16" (41cm)	8" (20cm)
SMS-25	10" (25cm)	17" (43cm)	10" (25cm)
SMS-30	12" (30cm)	18" (46cm)	12" (30cm)
SMS-35	14" (35cm)	19" (48cm)	14" (35cm)
SMS-40	16" (40cm)	20" (51cm)	16" (40cm)
SMS-45	18" (45cm)	21" (53cm)	18" (45cm)
SMS-50	20" (50cm)	22" (56cm)	20" (50cm)
SMS-55	22" (55cm)	23" (58cm)	22" (55cm)
SMS-60	24" (60cm)	24" (60cm)	24" (60cm)

SFP MODEL	WIDTH WIDTH "A"	VERTICAL HEIGHT "B"	MOLD OPEN WIDTH "C"
SMS-65	26" (65cm)	25" (63cm)	26" (65cm)
SMS-70	28" (70cm)	26" (66cm)	28" (70cm)
SMS-75	30" (80cm)	27" (69cm)	30" (75cm)
SMS-80	32" (80cm)	28" (71cm)	32" (80cm)
SMS-85	34" (85cm)	29" (74cm)	34" (85cm)
SMS-90	35.5" (90cm)	30" (76cm)	35.5" (90cm)
SMS-95	37.5" (95cm)	31" (79cm)	27.5" (95cm)
SMS-100	39" (100cm)	32" (81cm)	39" (100cm)
SMS-105	41" (105cm)	33" (84cm)	41" (105cm)



SMS (Mold Skirt)

Custom Quote/Order Form



Please fill in A, B & C

Instructions

- A - Distance across widest point of platens or machine chassis
- B - Length of skirt required
- C - Widest point of 'Tool Open' of full platen open

Please Select inch cm

Installation

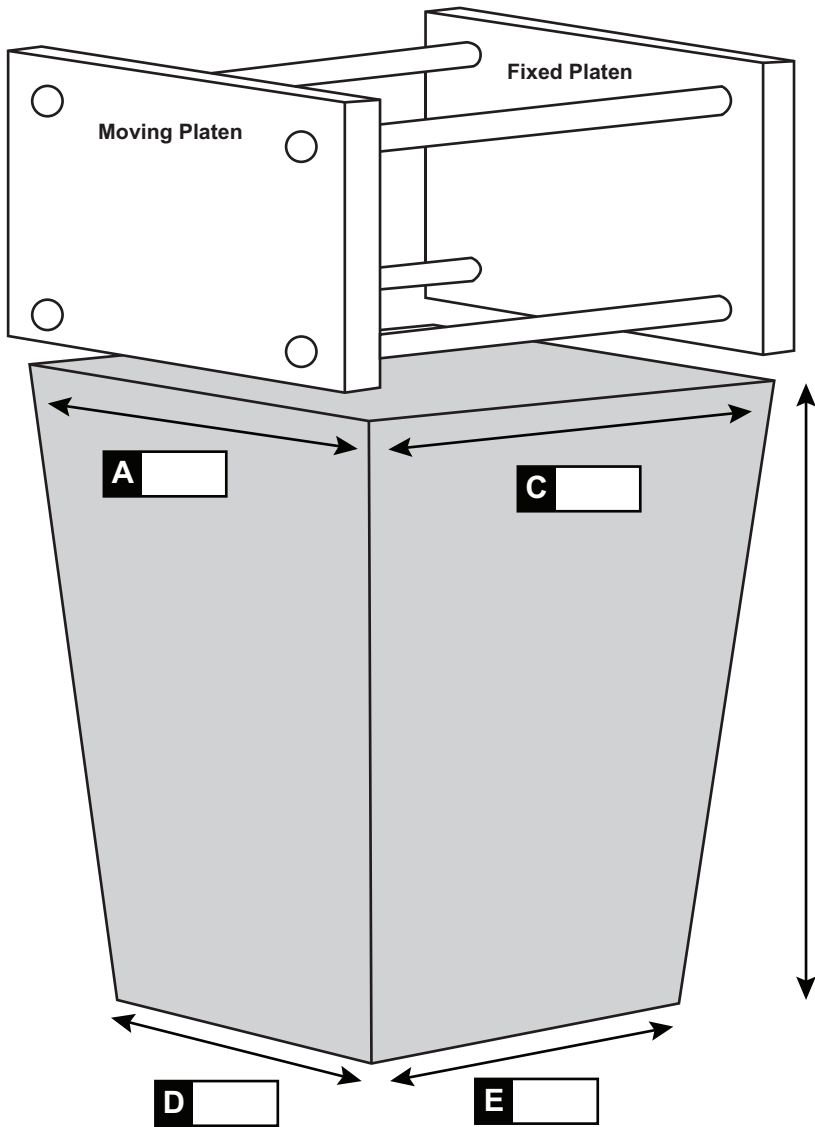
1. Skirt can move with the mold
2. Skirt is mounted with supplied magnets and Velcro
3. Skirt can be hung on to platens
4. Skirt can be hung from machine chassis

Contact Details

Name: _____
Company: _____
Telephone: _____
Email: _____
Quote No. (office use only) _____

TMS (Tapered Mold Skirt)

Custom Quote/Order Form



Please fill in A, B, C, D & E

Instructions

- A - Distance across widest point of platens or machine chassis
- B - Length of skirt required
- C - Widest point of 'Tool Open' of full platen open
- D - Taper dimension (cannot be bigger than A)
- E - Taper dimension (cannot be bigger than C)

Please Select inch cm

Installation

1. Skirt can move with mold
2. Skirt is mounted with supplied magnets and Velcro
3. Skirt can be hung on to platens
4. Skirt can be hung from machine chassis

Contact Details

Name: _____

Company: _____

Telephone: _____

Email: _____

Quote No. (office use only) _____

