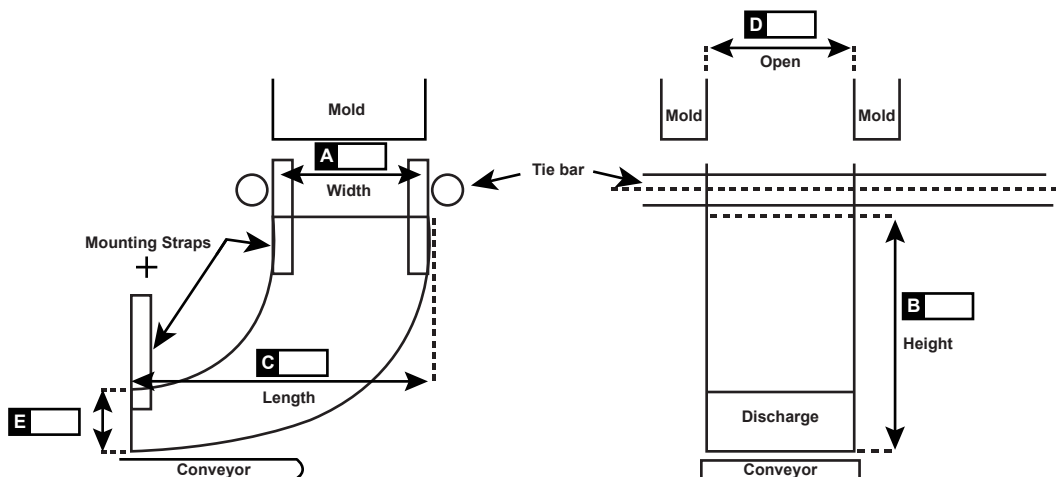


Softdrop Mold Chutes

Softdrop Right Angle Mold Chute

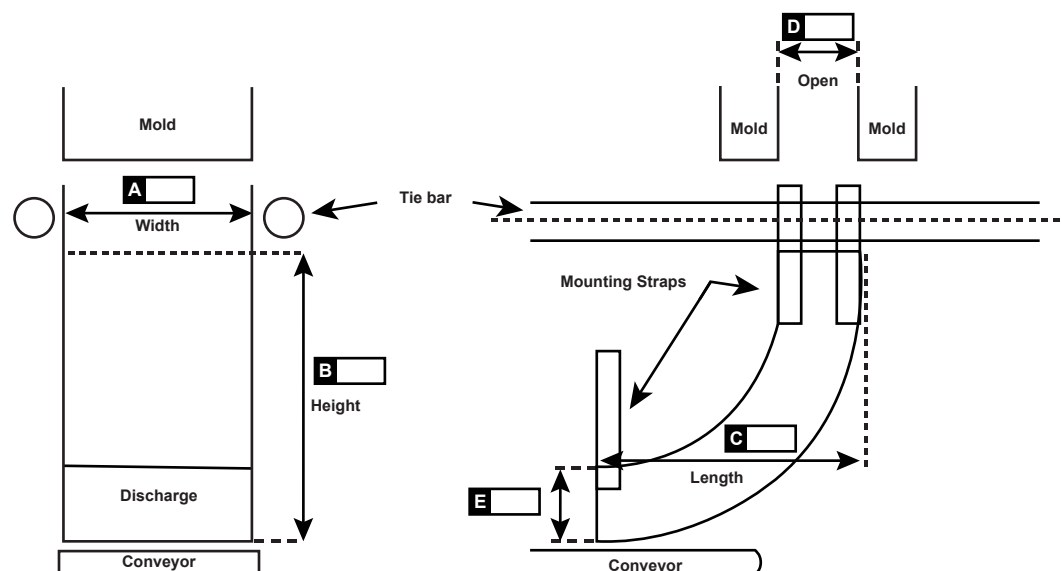
MODEL NO.	MOLD WIDTH "A"	CHUTE HEIGHT "B"	CHUTE LENGTH "C"	MOLD OPEN "D"	DISCHARGE HEIGHT "E"
SD-25	10" - 25cm	22" - 56cm	24" - 61cm	8" - 20cm	6" - 15cm
SD-30	11" - 28cm	23" - 58cm	26" - 66cm	10" - 25cm	6" - 15cm
SD-35	12" - 30cm	24" - 61cm	28" - 71cm	10" - 25cm	6" - 15cm
SD-40	13" - 33cm	25" - 63cm	30" - 76cm	12" - 30cm	6.5" - 16.5cm
SD-45	14" - 35cm	26" - 66cm	32" - 81cm	14" - 35cm	6.5" - 16.5cm
SD-50	16" - 40cm	27" - 69cm	34" - 86cm	14" - 35cm	6.5" - 16.5cm
SD-55	18" - 46cm	28" - 71cm	36" - 91cm	16" - 40cm	7" - 18cm
SD-60	20" - 51cm	29" - 74cm	38" - 96cm	18" - 45cm	7" - 18cm
SD-65	22" - 56cm	30" - 76cm	40" - 102cm	18" - 45cm	7.5" - 19cm
SD-70	24" - 61cm	31" - 79cm	42" - 107cm	18" - 45cm	7.5" - 19cm
SD-75	26" - 66cm	32" - 81cm	44" - 112cm	20" - 50cm	8" - 20.5cm
SD-80	28" - 71cm	33" - 84cm	46" - 117cm	20" - 50cm	8" - 20.5cm
SD-85	30" - 76cm	34" - 86cm	48" - 122cm	22" - 55cm	8.5" - 21.5cm
SD-90	32" - 81cm	35" - 89cm	50" - 127cm	22" - 55cm	8.5" - 21.5cm
SD-95	34" - 86cm	36" - 91cm	52" - 132cm	23.5" - 60cm	9" - 22.5cm
SD-100	36" - 91cm	37" - 94cm	56" - 142cm	23.5" - 60cm	9" - 22.5cm
SD-105	38" - 96cm	38" - 96cm	60" - 152cm	35.5" - 65cm	9.5" - 23.5cm



Softdrop Mold Chutes

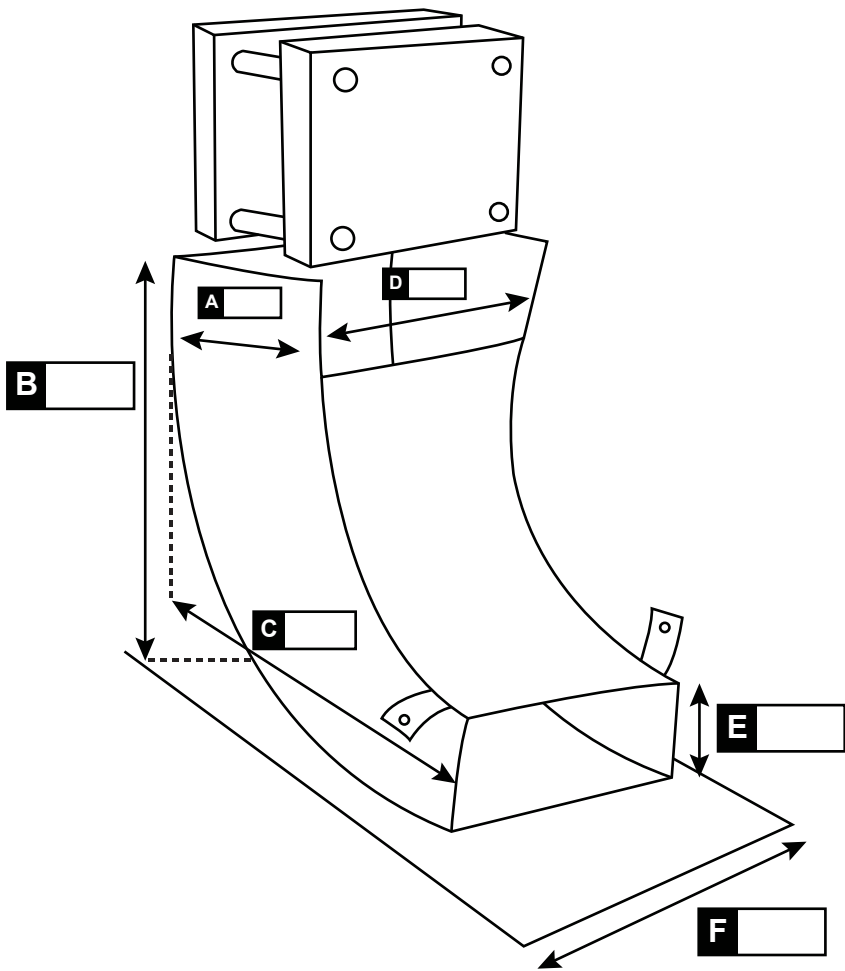
Softdrop In-Line Mold Chute

MODEL NO.	MOLD WIDTH "A"	CHUTE HEIGHT "B"	CHUTE LENGTH "C"	MOLD OPEN "D"	DISCHARGE HEIGHT "E"
SD-25	10" - 25cm	22" - 56cm	24" - 61cm	8" - 20cm	6" - 15cm
SD-30	11" - 28cm	23" - 58cm	26" - 66cm	10" - 25cm	6" - 15cm
SD-35	12" - 30cm	24" - 61cm	28" - 71cm	10" - 25cm	6" - 15cm
SD-40	13" - 33cm	25" - 63cm	30" - 76cm	12" - 30cm	6.5" - 16.5cm
SD-45	14" - 35cm	26" - 66cm	32" - 81cm	14" - 35cm	6.5" - 16.5cm
SD-50	16" - 40cm	27" - 69cm	34" - 86cm	14" - 35cm	6.5" - 16.5cm
SD-55	18" - 46cm	28" - 71cm	36" - 91cm	16" - 40cm	7" - 18cm
SD-60	20" - 51cm	29" - 74cm	38" - 96cm	18" - 45cm	7" - 18cm
SD-65	22" - 56cm	30" - 76cm <td 40" - 102cm	18" - 45cm	7.5" - 19cm	
SD-70	24" - 61cm	31" - 79cm	42" - 107cm	18" - 45cm	7.5" - 19cm
SD-75	26" - 66cm	32" - 81cm	44" - 112cm	20" - 50cm	8" - 20.5cm
SD-80	28" - 71cm	33" - 84cm	46" - 117cm	20" - 50cm	8" - 20.5cm
SD-85	30" - 76cm	34" - 86cm	48" - 122cm	22" - 55cm	8.5" - 21.5cm
SD-90	32" - 81cm	35" - 89cm	50" - 127cm	22" - 55cm	8.5" - 21.5cm
SD-95	34" - 86cm	36" - 91cm	52" - 132cm	23.5" - 60cm	9" - 22.5cm
SD-100	36" - 91cm	37" - 94cm	56" - 142cm	23.5" - 60cm	9" - 22.5cm
SD-105	38" - 96cm	38" - 96cm	60" - 152cm	35.5" - 65cm	9.5" - 23.5cm



SDRAC (Softdrop Right Angle Chute)

Custom Quote/Order Form _____



Dimensions Required

- A (Mold Width) - _____
- B (Chute Height) - _____
- C (Chute Length) - _____
- D (Mold Open) - _____
- E (Exit Height) - _____
- F (Conveyor Width) - _____

Please Select inch cm

Contact Details

Name: _____
Company: _____
Telephone: _____
Email: _____
Quote No. (office use only) _____

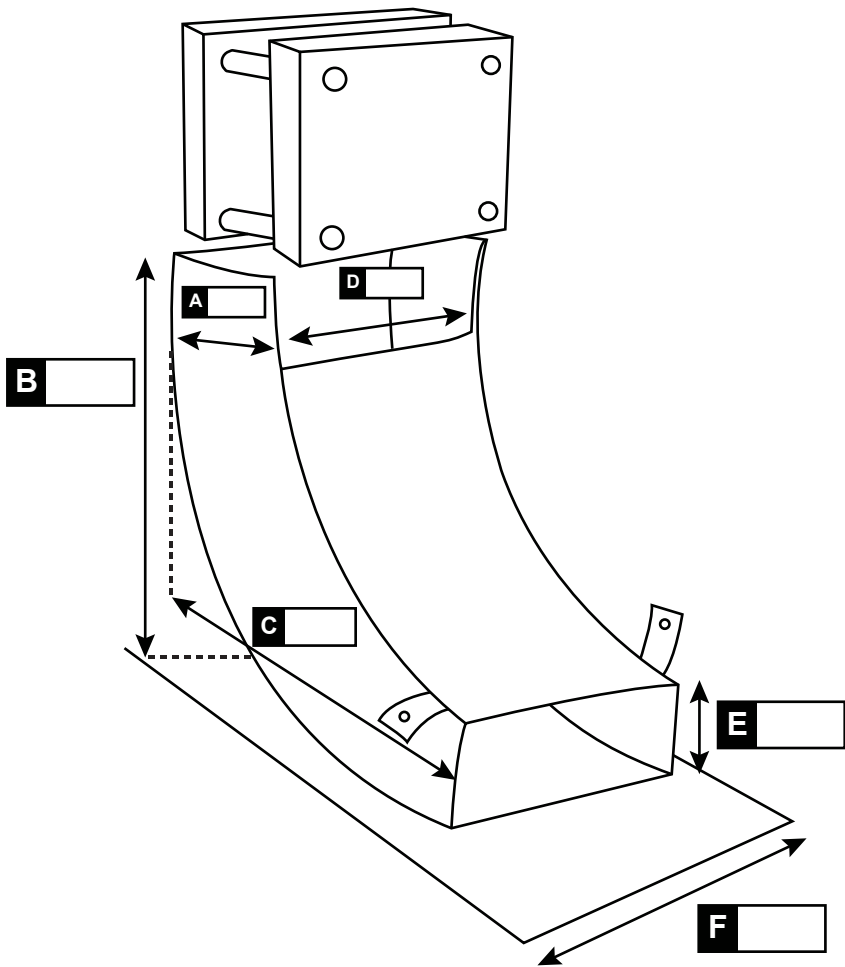
Installation

1. Chute can move with the mold
2. Chute is mounted with supplied magnets and Velcro
3. Chute can be hung on the platens
4. Chute can be hung from the machine chassis



SDILC (Softdrop In-Line Chute)

Custom Quote/Order Form _____



Dimensions Required

- A (Mold Width) - _____
- B (Chute Height) - _____
- C (Chute Length) - _____
- D (Mold Open) - _____
- E (Exit Height) - _____
- F (Discharge) - _____

Please Select inch cm

Contact Details

Name: _____

Company: _____

Telephone: _____

Email: _____

Quote No. (office use only) _____

Installation

1. Chute cannot move with the mold
2. Chute is mounted with supplied magnets and Velcro
3. Chute can be hung from machine chassis

